

FRC Flushing Ring

Features

- Providing flushing connection for flush flanged diaphragm seals
- The flushing ring is clamped between the process flange and the diaphragm seal
- Machined from bar stock
- Various materials available
- Optional with pipe plugs
- Various EN 1092-1 and ASME B16.5 fits



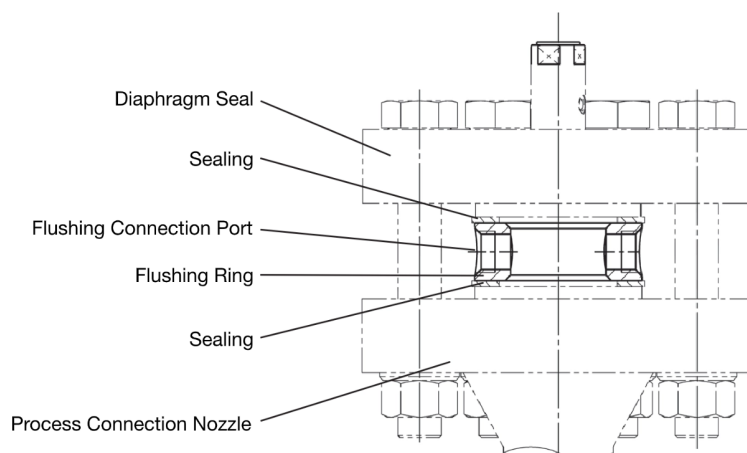
Typical Uses

- Oil and Gas
- Petrochemical
- Environmental

Specifications

Material:	316L SS, Monel®, Hastelloy® C-276, Duplex 2205 Various materials available
Process Connection:	ASME B16.5: 1", 1.5", 2", 3", 4" EN 1092-1: DN25, DN40, DN50, DN80, DN100
Flushing Connection:	1/2 NPT Female, 1/4 NPT Female

Assembly Drawing



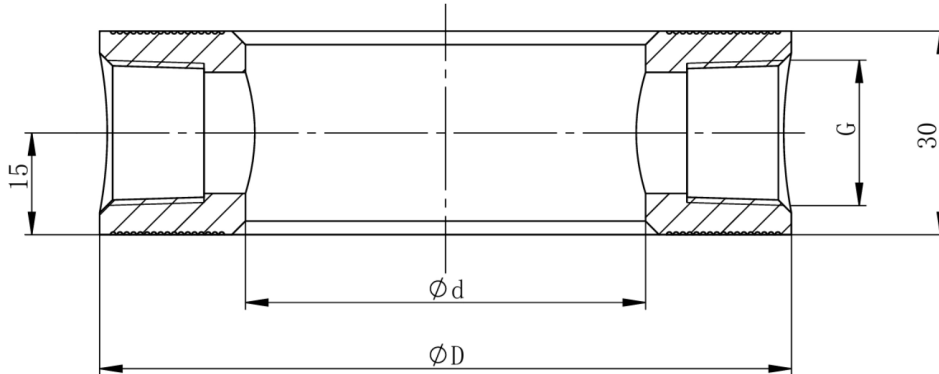
Contact Us

- ☎ 400 - 187 - 6586
- 🌐 www.ashcroft.com.cn
- ✉ sales@ashcroft.com.cn

All specifications are subject to change without notice. All sales subject to standard terms and conditions. Ashcroft® and Trust the Shield® are trademarks of Ashcroft Inc. The following non-Ashcroft trademarks are the property of their respective owners: Monel®, Hastelloy® C-276.
©2026 Ashcroft_CN. FRC_en_RevB_13-May-26




FRC Flushing Ring

RF / FF



Process Size	Pressure Rating	D	d	G
1"	Class 150 - Class 2500	50.8	26.6	1/2 NPT
				1/4 NPT
1.5"	Class 150 - Class 2500	73.0	40.9	1/2 NPT
				1/4 NPT
2"	Class 150 - Class 2500	92.1	52.5	1/2 NPT
				1/4 NPT
3"	Class 150 - Class 2500	127.0	82.0	1/2 NPT
				1/4 NPT
4"	Class 150 - Class 2500	157.2	102.0	1/2 NPT
				1/4 NPT
DN25	PN10 - PN100	68.0	29.0	1/2 NPT
				1/4 NPT
DN40	PN10 - PN100	88.0	47.0	1/2 NPT
				1/4 NPT
DN50	PN10 - PN100	102.0	59.0	1/2 NPT
				1/4 NPT
DN80	PN10 - PN100	138.0	90.0	1/2 NPT
				1/4 NPT
DN100	PN10 - PN16	158.0	107.0	1/2 NPT
				1/4 NPT
DN100	PN25 - PN100	162.0	107.0	1/2 NPT
				1/4 NPT

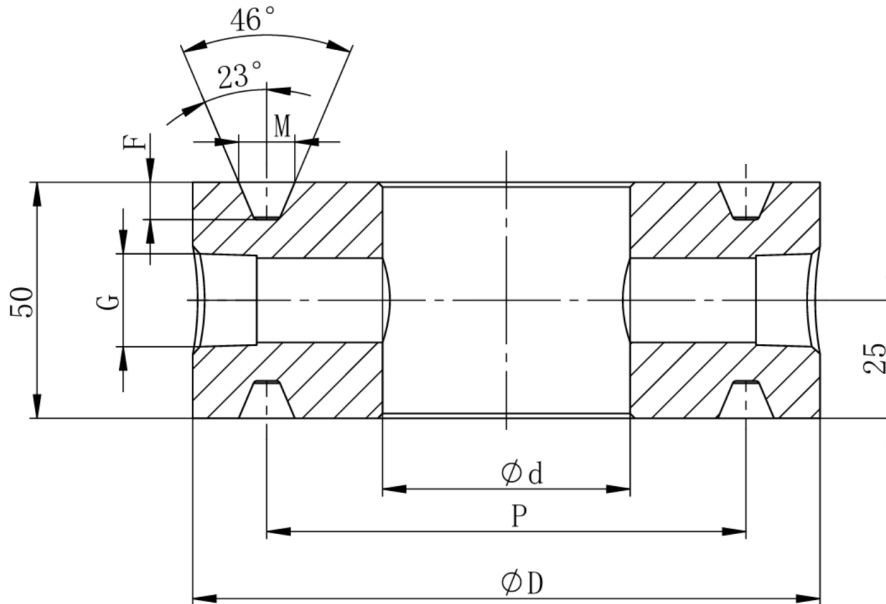
Contact Us

 400 - 187 - 6586
 www.ashcroft.com.cn
 sales@ashcroft.com.cn

All specifications are subject to change without notice. All sales subject to standard terms and conditions. Ashcroft® and Trust the Shield® are trademarks of Ashcroft Inc. The following non-Ashcroft trademarks are the property of their respective owners: Monel®, Hastelloy® C-276.
 ©2026 Ashcroft_CN. FRC_en_RevB_13-May-26

FRC Flushing Ring




RTJ



Process Size	Pressure Rating	D	d	M	F	P	G
1"	Class 900 / Class 1500	71.5	26.7	8.74	6.35	50.8	1/2 NPT
							1/4 NPT
1"	Class 2500	82.5	26.7	8.74	6.35	60.33	1/2 NPT
							1/4 NPT
1.5"	Class 900 / Class 1500	92	40.9	8.74	6.35	68.27	1/2 NPT
							1/4 NPT
1.5"	Class 2500	114	40.9	11.91	7.92	82.55	1/2 NPT
							1/4 NPT
2"	Class 150	102	52.5	8.74	6.35	82.55	1/2 NPT
							1/4 NPT
2"	Class 300 / Class 600	108	52.5	11.91	7.92	82.55	1/2 NPT
							1/4 NPT
2"	Class 900 / Class 1500	124	52.5	11.91	7.92	95.25	1/2 NPT
							1/4 NPT
2"	Class 2500	133	52.5	11.91	7.92	101.6	1/2 NPT
							1/4 NPT

Drawing Dimensions (continued on next page)

Contact Us

 400 - 187 - 6586
 www.ashcroft.com.cn
 sales@ashcroft.com.cn

All specifications are subject to change without notice. All sales subject to standard terms and conditions. Ashcroft® and Trust the Shield® are trademarks of Ashcroft Inc. The following non-Ashcroft trademarks are the property of their respective owners: Monel®, Hastelloy® C-276.
 ©2026 Ashcroft_CN. FRC_en_RevB_13-May-26

FRC Flushing Ring

RTJ

Drawing Dimensions (continued)

Process Size	Pressure Rating	D	d	M	F	P	G
3"	Class 900	156	82	11.91	7.92	123.83	1/2 NPT
							1/4 NPT
3"	Class 1500	168	82	11.91	7.92	136.53	1/2 NPT
							1/4 NPT
3"	Class 2500	168	82	13.49	9.53	127	1/2 NPT
							1/4 NPT
4"	Class 900	181	102	11.91	7.92	149.23	1/2 NPT
							1/4 NPT
4"	Class 1500	194	102	11.91	7.92	161.93	1/2 NPT
							1/4 NPT
4"	Class 2500	203	102	16.66	11.13	157.18	1/2 NPT
							1/4 NPT

Contact Us

☎ 400 - 187 - 6586
 🌐 www.ashcroft.com.cn
 ✉ sales@ashcroft.com.cn

All specifications are subject to change without notice. All sales subject to standard terms and conditions. Ashcroft[®] and Trust the Shield[®] are trademarks of Ashcroft Inc. The following non-Ashcroft trademarks are the property of their respective owners: Monel[®], Hastelloy[®] C-276.
 ©2026 Ashcroft_CN. FRC_en_RevB_13-May-26

FRC Flushing Ring

Ordering Code		Example:		FRC	20	150LB	S	1/2NPT	RJ	PU	NH
Model											
FRC	Flushing Ring	FRC									
Process Size (ASME B16.5)											
10	Flange Size:1"			10							
15	Flange Size:1-1/2"			15							
20	Flange Size:2"			20							
30	Flange Size:3"			30							
40	Flange Size:4"			40							
Process Size (EN 1092-1)											
DN25	Flange Size:DN25			DN25							
DN40	Flange Size:DN40			DN40							
DN50	Flange Size:DN50			DN50							
DN80	Flange Size:DN80			DN80							
DN100	Flange Size:DN100			DN100							
Pressure Rating (ASME B16.5)											
150LB	Pressure Rating:Class 150					150LB					
300LB	Pressure Rating:Class 300					300LB					
600LB	Pressure Rating:Class 600					600LB					
900LB	Pressure Rating:Class 900					900LB					
1500LB	Pressure Rating:Class 1500					1500LB					
2500LB	Pressure Rating:Class 2500					2500LB					
Pressure Rating (EN 1092-1)											
PN10	Pressure Rating:PN10					PN10					
PN16	Pressure Rating:PN16					PN16					
PN25	Pressure Rating:PN25					PN25					
PN40	Pressure Rating:PN40					PN40					
PN63	Pressure Rating:PN63					PN63					
PN100	Pressure Rating:PN100					PN100					
Material											
S	316L SS						S				
M	Monel®						M				
H	Hastelloy® C-276						H				
J	Duplex 2205						J				
Flushing Hole Size											
	1/2 NPT							1/2 NPT			
	1/4 NPT							1/4 NPT			
Seal Face											
	RF										
	RJ	Ring Type Joint (ASME B16.5 only)							RJ		
	FF	Flat Face (ASME B16.5 only)								FF	

Ordering Code (continued on next page)

Contact Us




400 - 187 - 6586
www.ashcroft.com.cn
sales@ashcroft.com.cn

All specifications are subject to change without notice. All sales subject to standard terms and conditions. Ashcroft® and Trust the Shield® are trademarks of Ashcroft Inc. The following non-Ashcroft trademarks are the property of their respective owners: Monel®, Hastelloy® C-276.
 ©2026 Ashcroft_CN. FRC_en_RevB_13-May-26

FRC Flushing Ring

Ordering Code (continued) Example:		FRC	20	150LB	S	1/2NPT	RJ	PU	NH
Plug									
No need									
1PU	Need 1 plug							1PU	
2PU	Need 2 plugs							2PU	
Other Options									
CD6	Material of factory								CD6
6W	Cleaned for oxidizing processes other than Oxygen								6W
MQ	PMI test report								MQ
NH	Tag								NH
C3	Certificate according to EN 10204 3.1								C3
CD5	Material certificate according NACE MR0175/ISO15156-2003 and NACE MR0103-2005 (2)								CD5
6B	Cleaned for Oxygen processes								6B

Contact Us

 400 - 187 - 6586
 www.ashcroft.com.cn
 sales@ashcroft.com.cn

All specifications are subject to change without notice. All sales subject to standard terms and conditions. Ashcroft® and Trust the Shield® are trademarks of Ashcroft Inc. The following non-Ashcroft trademarks are the property of their respective owners: Monel®, Hastelloy® C-276.
 ©2026 Ashcroft_CN. FRC_en_RevB_13-May-26